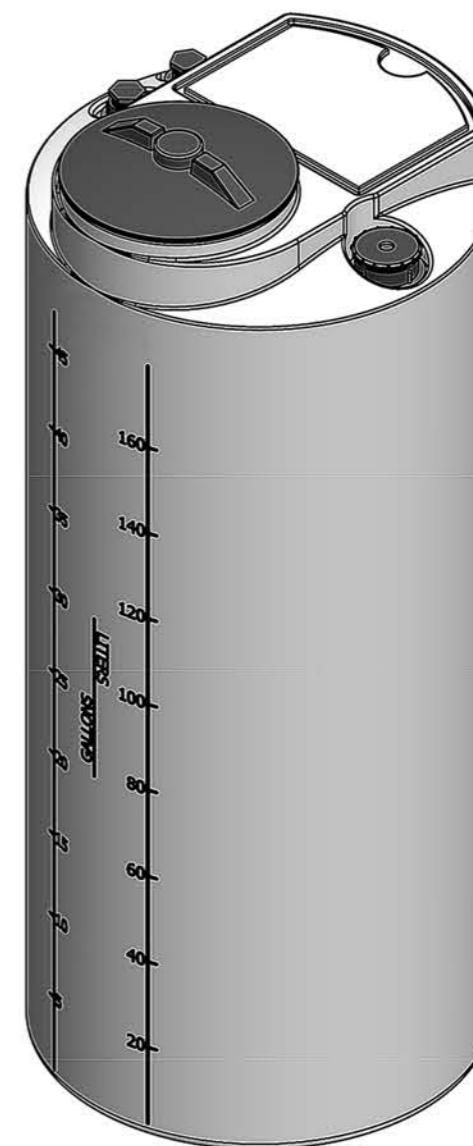
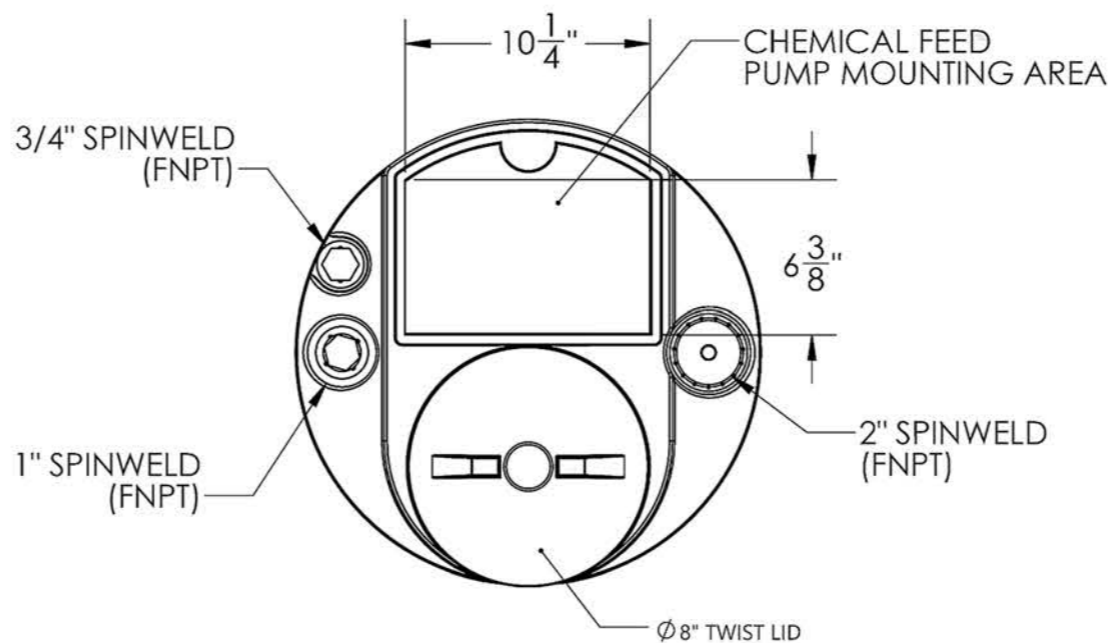
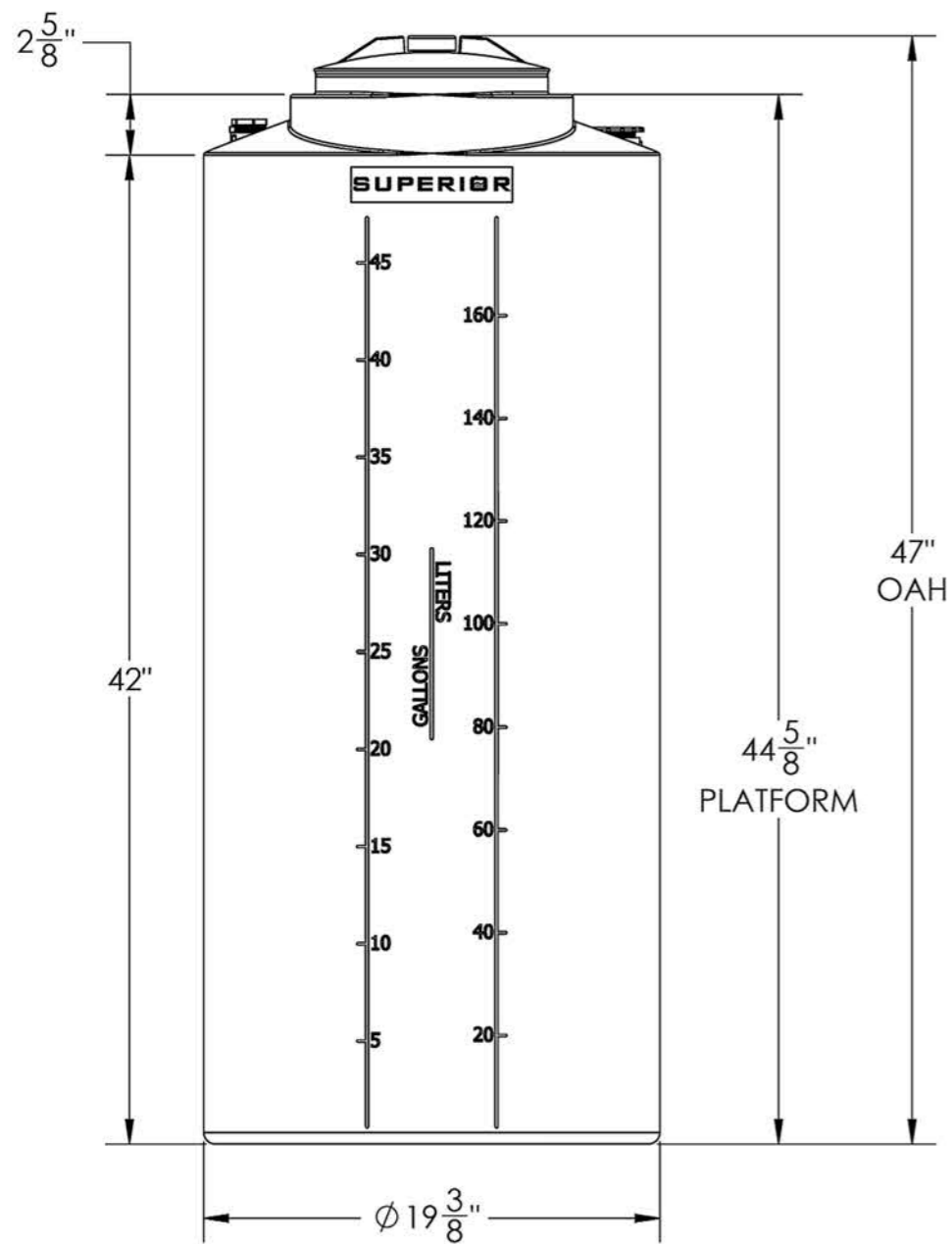


50 GALLON SINGLE WALL TANK
 LLDPE, 1.9 SPG - WHITE
 Ø 19.37" X 47.00"



Service Pressure: Atmospheric
 NSF/ ANSI Standard 61 Certified
 Available W/FRP Wrap
 1 Year Warranty on Material
 and Workmanship

*No Provision for Lost Product or Business

PROPRIETARY AND CONFIDENTIAL
 THE INFORMATION CONTAINED IN THIS
 DRAWING IS THE SOLE PROPERTY OF
 SUPERIOR STORAGE TANKS. ANY
 REPRODUCTION IN PART OR AS A WHOLE
 WITHOUT THE WRITTEN PERMISSION OF
 SUPERIOR STORAGE TANKS IS
 PROHIBITED.

SUPERIOR
 STORAGE TANKS & TRAILERS
 14700 Industry Circle
 La Mirada, CA 90638

| GALLONS | MATERIAL | SIZE | 50 GALLON SINGLE WALL TANK LLDPE, 1.9 SPG - WHITE | | | |
|---------|-----------------|----------|--|-------------------|-------------------|-------------------------|
| 50 | 1.9 SPG, LPE | B | FILE NO: 2901-0001 | | | |
| Label | | | DRAWN BY: BERSON | DATE: 2/9/2023 | WEIGHT: 24 lbs | SCALE: N/A SHEET 1 OF 1 |